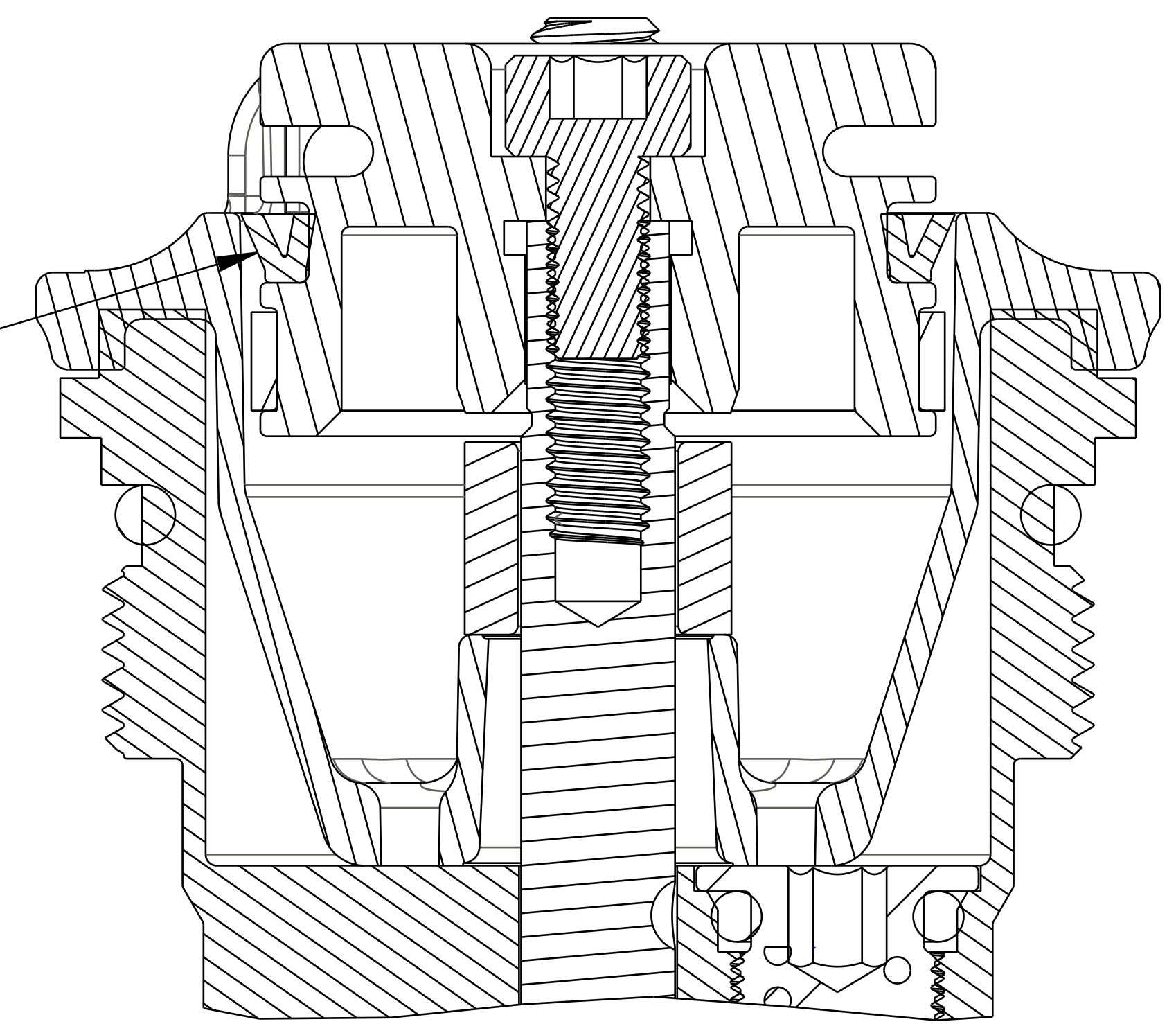


NOTE U-CUP ORIENTATION



CARTRIDGE ASSEMBLY

820-05-272-KIT Remote Topcap Interface Parts

REFERENCE ONLY (FOR INSTALLATION INTO FORK)

TORQUE: 220±5 IN.-LB.

REFERENCE ONLY (FOR INSTALLATION INTO FORK)

241-01-011 CRUSH WASHER

241-00-011 BOTTOM NUT

210-22-446 REBOUND KNOB

TORQUE: 50±5 IN.-LB.

TORQUE: 5.0±0.5 IN.-LB.

018-01-007 Socket Set Half Dog Point Screw [#8-32 X 0.250 TLG]

019-01-088 Set Screw [M4x4mm], SST, Cup Point, Patchlock

019-01-095 Fastener, Standard (Metric): Screw [M3 X 6mm] SHCS, Patchlock

GREASE: LAYER OF BLUE MARINE
GREASE: THIN LAYER

TORQUE: 11±3 IN.-LB.

IMPORTANT: DO NOT ALLOW PULLEY TO ROTATE WHILE TORQUING

210-22-759 Damping Adjust Part: Housing, Remote, 2014 FIT and O/C
210-22-819 Damping Part: Spacer, 2014 Remote Fork
039-00-291 Spring: Torsion 2013 Damper CTD Remote, .048 Square Wire, 0.600 Mean Coil Diam ()
002-02-050 Bearing: External [0.115 W X 0.810 OD X 0.030 TH, Ø 0.750 Bore] Turcon,Blue,Ring
036-01-044 Seals: U-Cup, Shore 70A, 2013 CTD-ADJ, Remote Fit-CTD and Remote O/C-CTD

210-22-760 CABLE PULLEY

FOX Factory, Inc. 130 Hangar Way, Watsonville, CA 95076 USA Ph 831-768-1100 Fax 831-768-9312

TITLE 2015 34 F-S FIT CTD Remote Cartridge Assy Complete

SIZE DWG. NO. D PLOT SCALE 1.00:1 SHEET 1 OF 1

PROPRIETARY - THIS DOCUMENT CONTAINS CONFIDENTIAL, PROPRIETARY INFORMATION THAT IS FOR PROPERTY. DO NOT DISCLOSE TO OR DUPLICATE FOR OTHERS EXCEPT AS AUTHORIZED BY FOX.